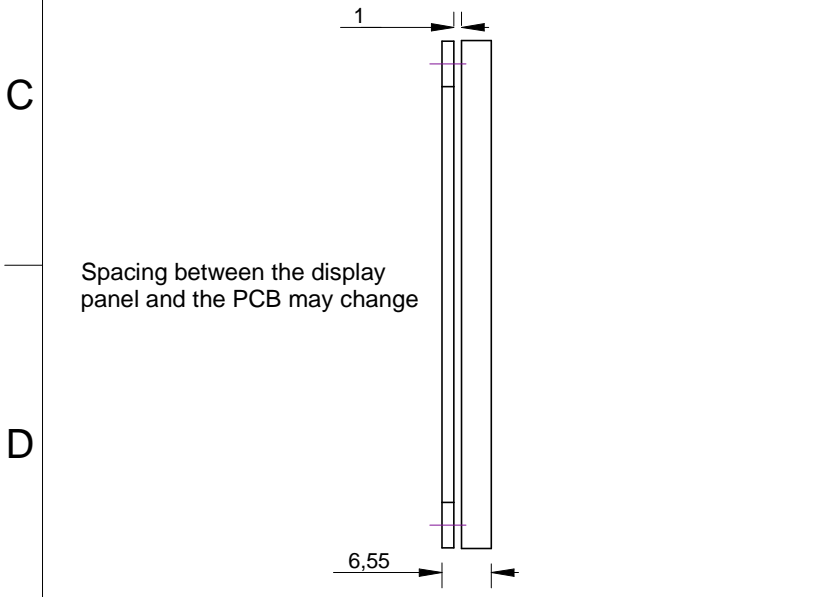
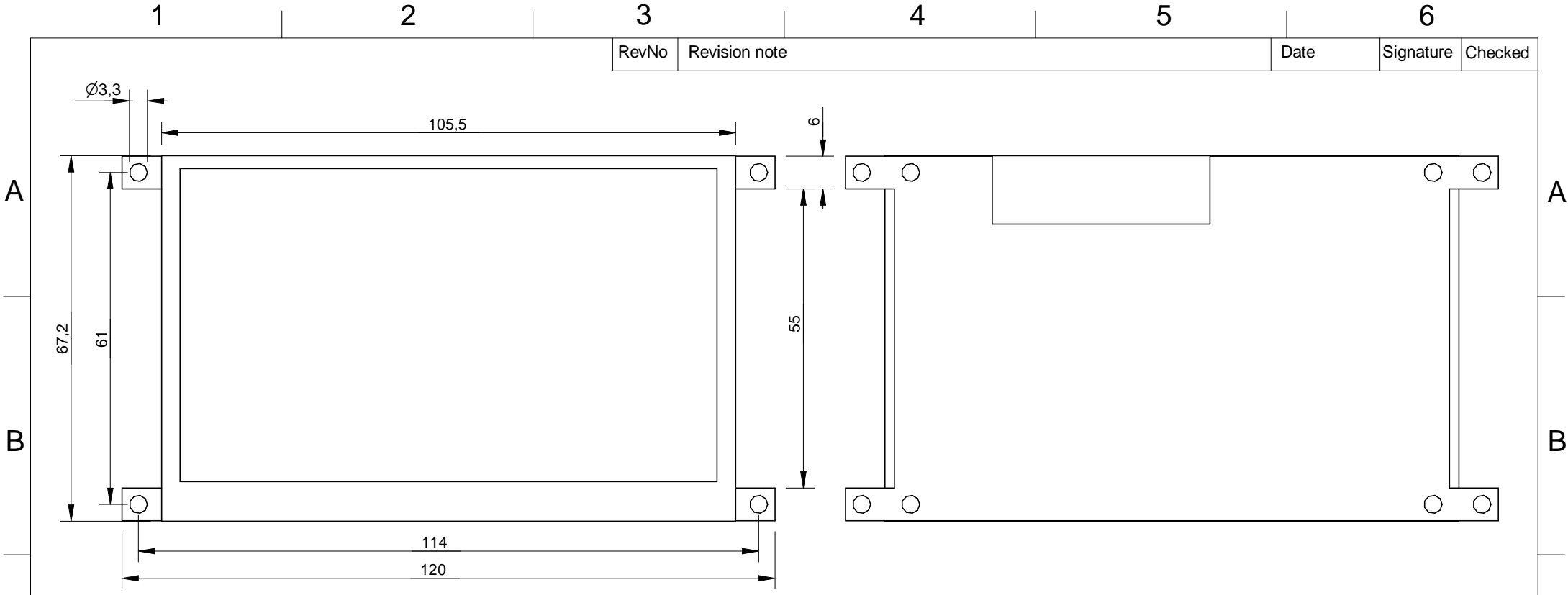


RevNo	Revision note	Date	Signature	Checked
-------	---------------	------	-----------	---------



Itemref	Quantity	USB480-LQ043 preliminary dimensions			
Drawn by DRAWN	Checked by	Approved by - date	File name	Date 10.9.2008	Scale
			DWG NO.		
			Edition		Sheet